

Product Specifications

DECORATIVE SOLAR POST TOP LIGHTS

Issued May03-2020

ZeroSUN™ control technology for all weather lighting
Operating temperatures: -30 to +55C standard or -50 to +55C Optional

20W; 30W
120-130LPW

Ideal for parks, walking pathways, inner city roads, gardens, marinas and many more
No electricity required, simple plug-and-play installation

Features

Decorative Arched Solar Panels, monocrystalline
Lithium battery technology for long life
Solar Panel base finish: White powder coat, custom colors available
Adjustable Solar panel mount for optimized directional setting
Multiple luminaire designs are available
Pole height options: 9-12ft high, base mount
Multiple pole designs are available
Custom designs available

Luminaire Selection

Application dependant
Finish: Black powder coat, color options are available
Wide beam angle

Pole Selection

Art, Romantic or Round, Base Mount
Finish: Black powder coat, color options are available
Material: Metal alloy casting

Available luminaire choices

DECO Series - most popular choices



Other optional luminaire choices are available, please inquire

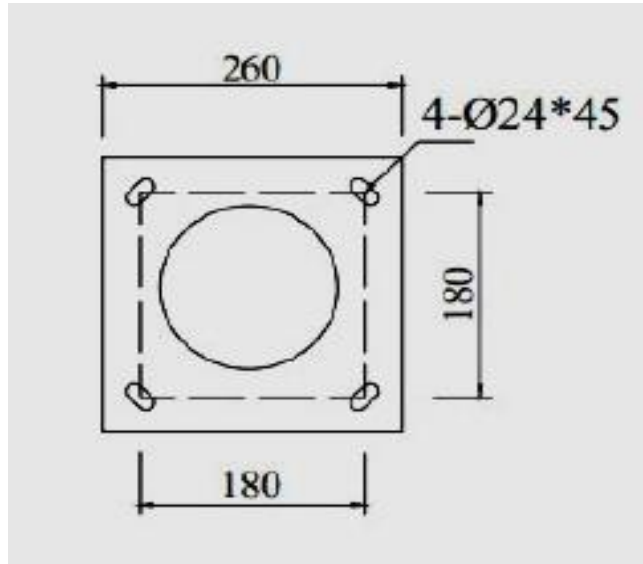
info@upplandsenergy.com



Product Specifications

Installation

Steel poles, with heavy duty base plate for base mount.
It is recommended to extend concrete base above ground level by 3" / 76mm
Anchor bolts supplied.



Anchor 4-M20

