

SOLAR STREET LIGHTS - off grid

SOLAR LIGHTING MADE SIMPLE
Powered by ZeroSUN™ Solar Controller

30W-40W-50W
5 YEAR Warranty



Model: HS Series 30/40/50W

130LPW

50,000 hrs

Designed for STREET and AREA LIGHTING applications for any weather

Overview

Luminaire with integral Batteries and Controller
PIR Motion Sensor - can be disabled by Remote Controller
Remote PV panel for optimizing power output and directional adjustment
POLES: Tapered steel - Base Mount; Direct Burial: OPTIONAL
Modular design for simple installation process, plug-and-play
Complete set, all components provided
Batteries: Low temperature rated, long life 2000 cycle Li NCM
Operating Temp >0.9
Power Factor



Model	Watts	Max Lm	POLE Height
HS30W12V-5	30	3900	5 m
HS40W12V-5	40	5200	5 m
HS50W12V-7	50	6500	7 m

Connectors: MC4 quick connect

Photometric

CRI
Color Ra>75
Beam Angle: 1 5700K

Measurements/Weight

Luminaire: 6.5x5.6x1.5" / 13.0/14.0/15.0lbs
Mounting: Pivoting Slip Fitter 2.75" dia
PV Panel: 60W/100W/120W - 13.0/15.0/23.0 lbs

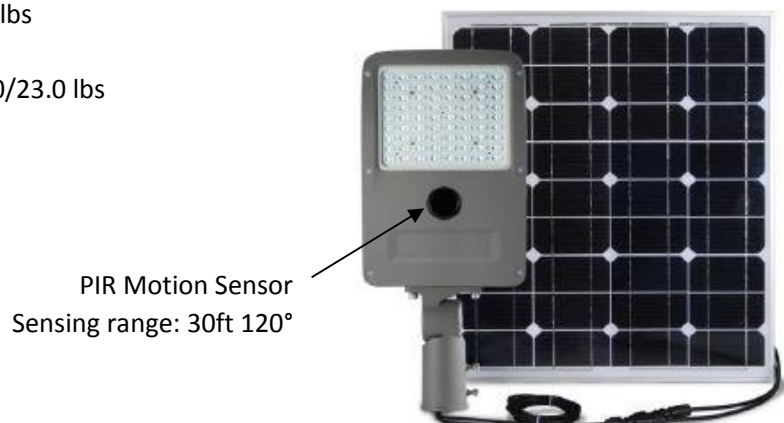
ORDERING - complete with pole

HS30W12V-5 30-40W 5 m Pole
HS50W12V-7 50W 7 m Pole

ORDERING - without pole

HS30W12V-X 30W
HS40W12V-X 40W
HS50W12V-X 50W

Remote PV panel mounting



PIR Motion Sensor
Sensing range: 30ft 120°

Separate PV panel allows for site specific selection of power output and optimum directional adjustment



SOLAR STREET LIGHTS - off grid

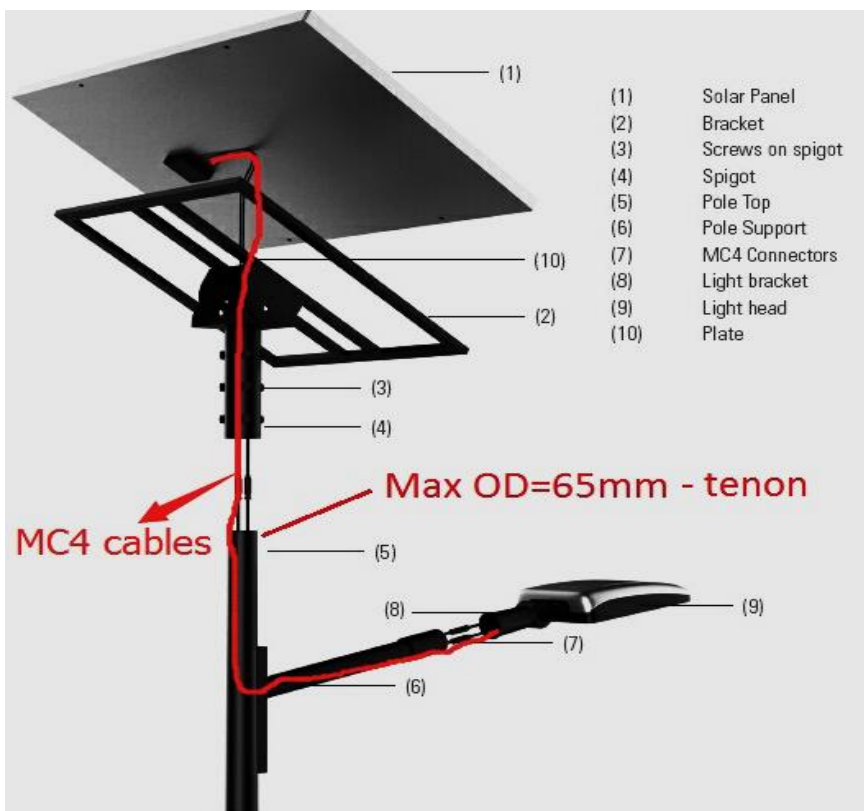
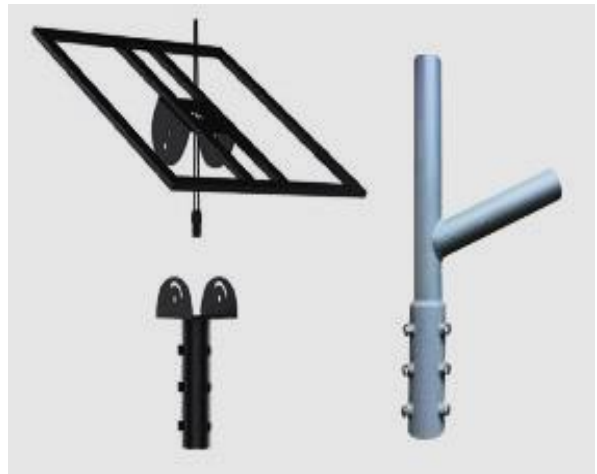
SIMPLE INSTALLATION WITH PLUG-AND-PLAY CONNECTORS

POLE TOP ASSEMBLY KIT

Designed for virtually unlimited flexibility, adjustment and easy installation

Adjustable pivoting PV panel support
Adapter for Panel Support and Light Support

Custom design available



SOLAR STREET LIGHTS - off grid

BASE MOUNT - Solar Pole System 5-7m

Designed for easy and quick installation
All components provided as required for the installation
The creative design is modular and significantly reduces the cost of installation
Simple plug-in connectors between Luminaire and PV panel
Complete set of stainless steel mounting hardware provided

Features

Light Pole

- Round tapered steel
- Base plate
- Hand Hole

Arm Support

- Slides over top of pole
- Supports Luminaire with Slip Fitter mount
- Convenient directional adjustment

Spigot module & Panel Support Frame

- Simple slide-on mounting on Arm
- Fully adjustable to optimize panel orientation

Anchor Module

- Preassembled, fits Base Plate design
- Set of Rebars included

EPA RATING

Upplands warrants that the design of all components including Light Pole meets EPA requirements for all systems sold.

