

Product Specifications

PORTABLE SOLAR LIGHTS

40W LED Power - 5600lm

ZeroSUN™ control technology for all weather lighting

Interchangeable luminaire for wide or narrow beam angles

Operating Temperatures: -30C to +55C

Optional: -50C to +55C

Issued: Mar12-2020



Applications - Temporary Lighting

Construction sites

Temporary roadways, Parking Lots

Exploration sites, outdoor testing and many more.

Features

Plug-and-Play installation

Pivoting and rotating Solar Panel mount

High efficiency monocrystalline solar panel

High lumen output, light weight Luminaire - 5600 lumens

Luminaire with slip fitter bracket

Wide beam angle 150 x 75° for large area coverage

Lithium batteries for long life with plug-in connectors

Precast concrete base with forklift provision

Telescopic Mast - 11ft Luminaire height

MODEL	Watts	Height A/B	Oper Temp	Total Weight
PSL-40-11T	40	11/6.8ft	-30 to +55C	2580lbs
PSL-40X-11T	40	11/6.8ft	-50 to +55C	2720lbs

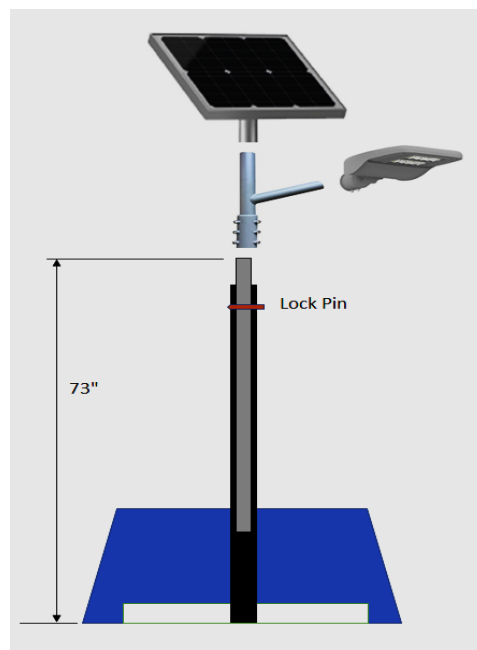
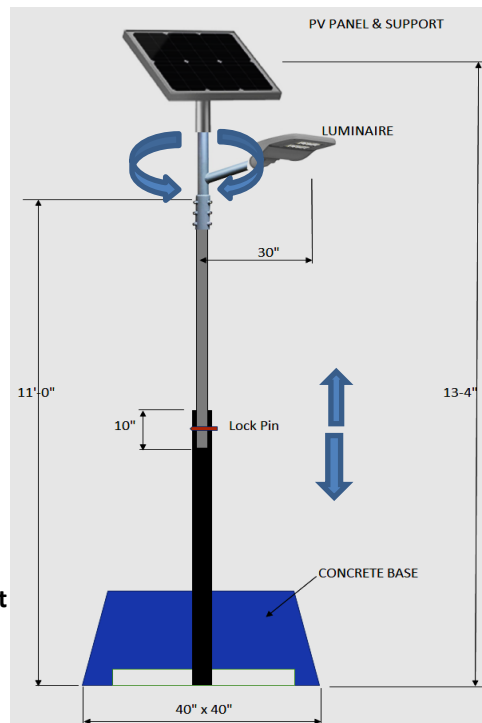
Luminaire Selection: Wide Beam Narrow Beam
Beam Angle choices 150° x 75° 30°
Specify WIDE or NARROW Beam Angle when ordering

PSL for Extreme cold environment -50C



Model PSL-40X-11T

Insulated Battery Enclosure for -50C rated installations
OPTIONAL



Product Specifications

PORTABLE SOLAR LIGHTS



Rotating mount for Luminaire and Solar Panel



Stabilizer support legs for uneven terrain
OPTIONAL



Simple plug-and-Play assembly

Solar powered lighting in any weather
ZeroSUN™ Control technology

